

# JOHNSONS STAND INSTRUCTIONS

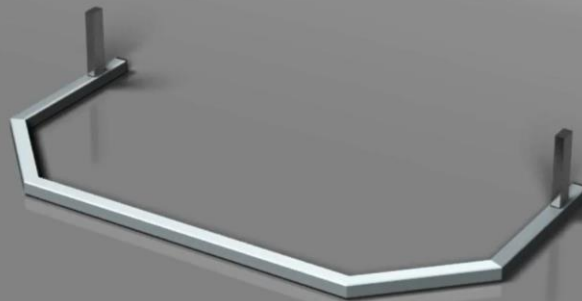


## Stand components:

- Foot
- Bottom hook section
- Top hook section
- Black Correx backing cards
- Footer frame
- Header frame
- Footer card / panel
- Header card / panel
- Press studs

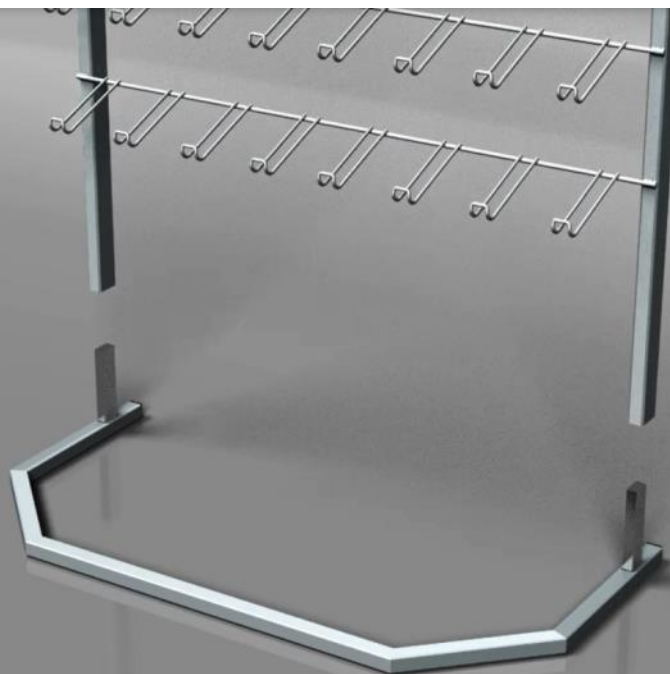
### STEP ONE

Start with the foot placed on the ground with the curve of the foot to the front



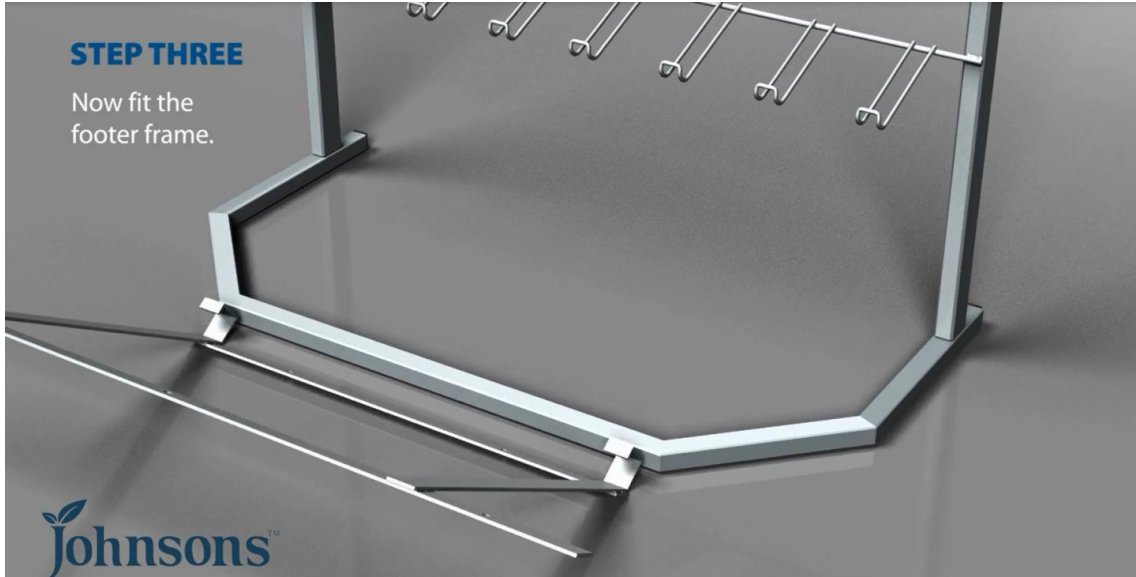
### STEP TWO

Fit the bottom hook section by locating both spigots into the foot and pressing down - keeping both sides level

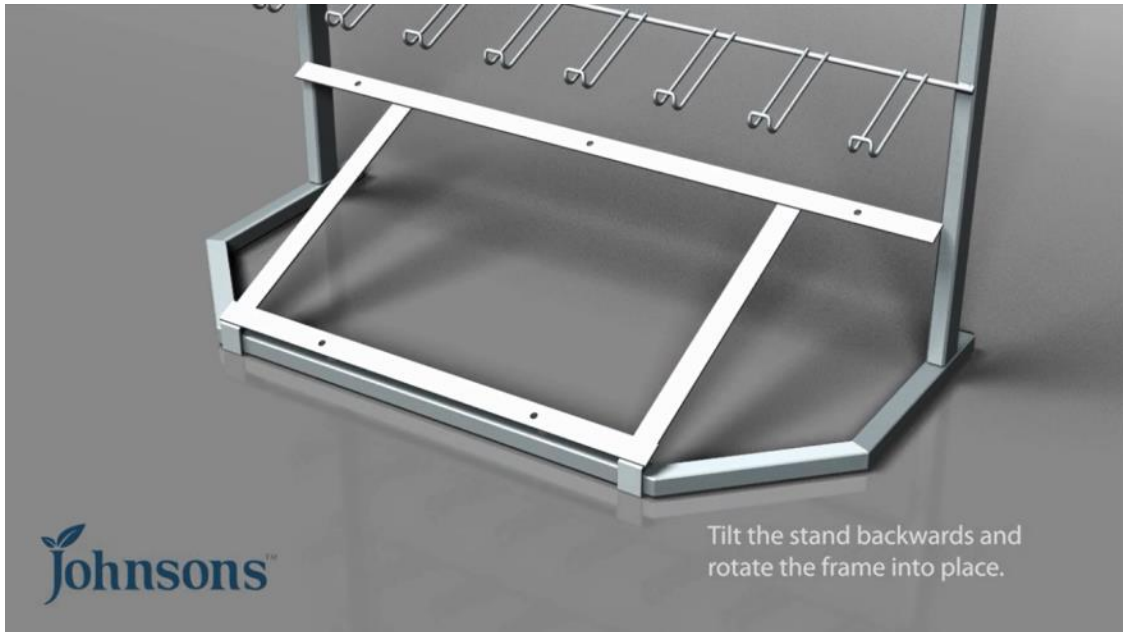


**STEP THREE**

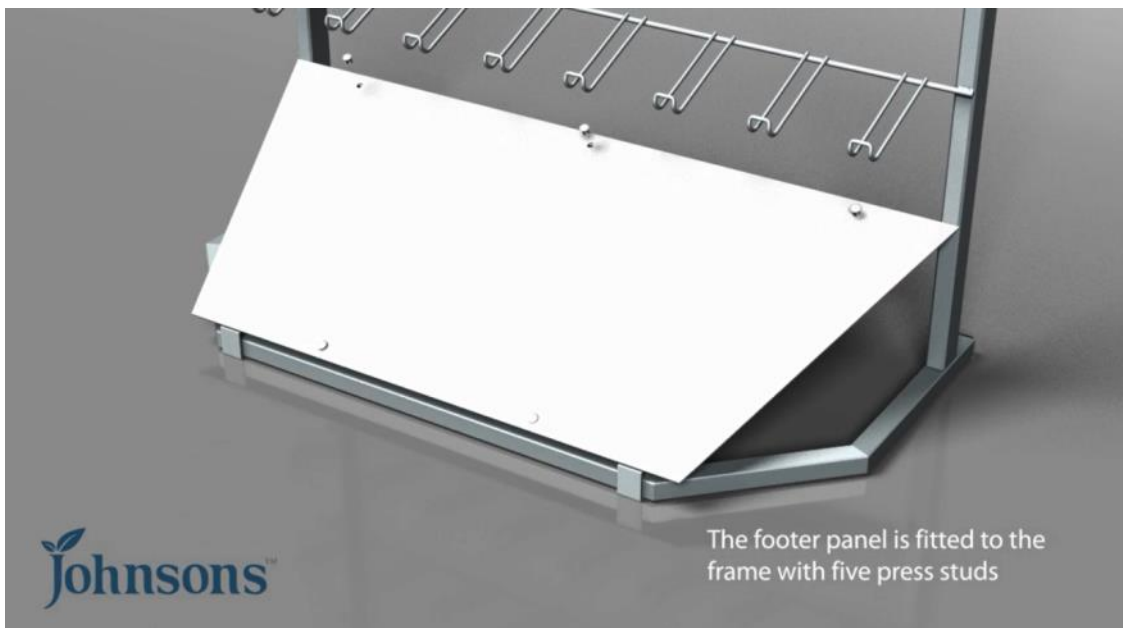
Now fit the footer frame.



Tilt the stand backwards and rotate the frame into place.



The footer panel is fitted to the frame with five press studs



#### STEP FOUR

Next fit the top hook section, locating both spigots into the bottom section and pressing down - keeping both sides level

 Johnson's™



#### STEP FIVE

The header frame slots into the top of the stand.

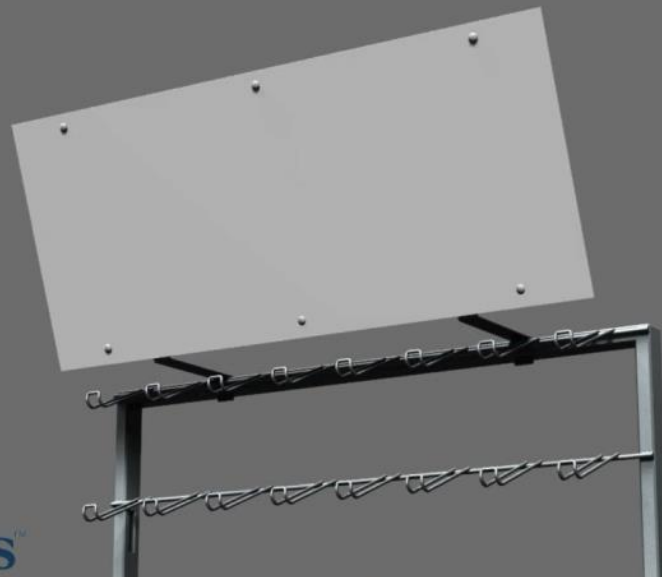
 Johnson's™



#### STEP FIVE

The header frame slots into the top of the stand.  
The header panel fits to the frame with six press studs.

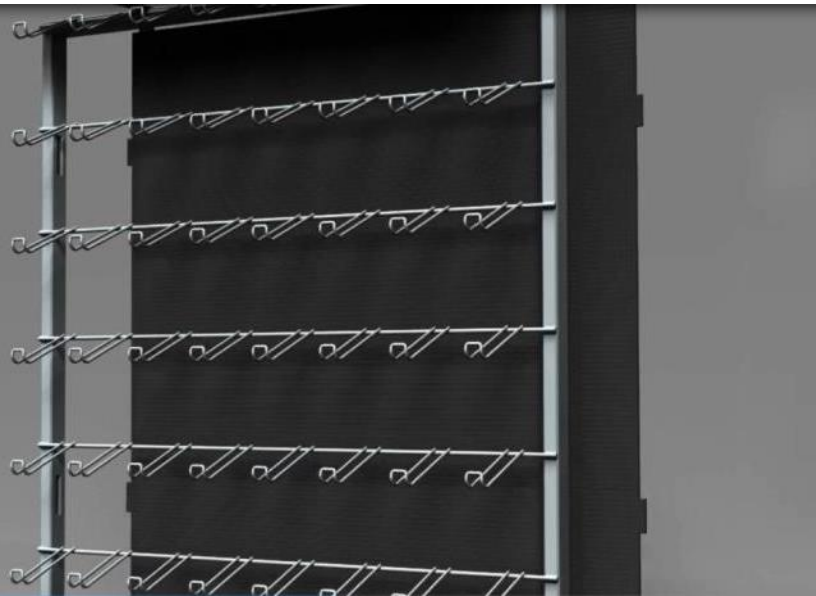
 Johnson's™



### STEP SIX

The black correx cards are fitted by slipping the tabs into the frame slots on one side then flexing the board to allow the tabs to fit into the slots on the other side

 Johnson's™



### STEP SIX

When correctly placed there should be a 5mm gap to the top frame and the two cards should fit flush. The two cards are interchangeable

 Johnson's™

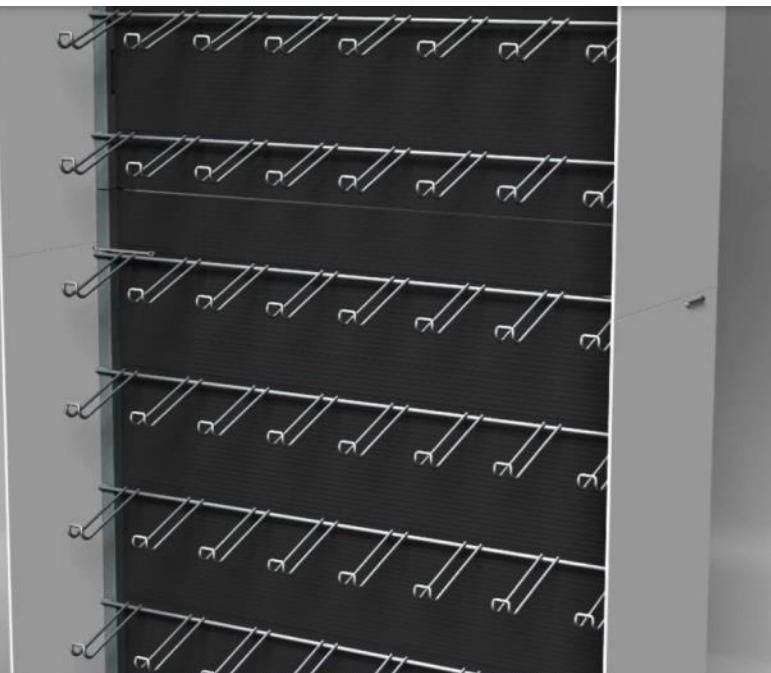


**The following step is only applicable if you have vertical side POS panels:**

### STEP SEVEN

The side panels unfold and are held in place with tie wraps through pre-drilled holes

 Johnson's™







Johnsons Seeds, Gazeley Road, Kentford, Newmarket, Suffolk CB8 7QB  
[www.johnsons-trade.com](http://www.johnsons-trade.com)